

- Dedicated temperature sensor for MT series telemetry modules
- Four versions available:
 - THF-01 – temperature measurement,
 - THF-01 H – temperature and humidity measurement,
 - THF-01 P – temperature and atmospheric pressure measurement
 - THF-01 HP – temperature, humidity and atmospheric pressure measurement
- Temperature measuring range: -40 °C to + 85 °C
- Humidity measuring range: 1.3% – 100%
- Atmospheric pressure measuring range: 513 hPa – 1100 hPa
- High accuracy and stability of measurements
- Low power consumption
- Measuring period: 1 minute
- Signals measured in frequency outputs form
- Two power sources: AC adapter or internal lithium battery
- Protection degree IP40
- Protective gel covering the electronics
- Wall mounting
- ABS housing of dimensions 71 x 71 x 27 mm
- 3 year warranty period



The compact THF-01 module extends the measurement capabilities of selected MT series telemetry modules. Depending on the version, the THF-01 sensor measures physical quantities such as temperature, humidity and atmospheric pressure. The system is designed for telemetric modules equipped with pulse inputs operating in the frequency measurement mode, thus the typical analog inputs are not required for the measurement. The sensor housing allows mounting on any flat surface by means of a double-sided adhesive tape. The module is designed for indoor and outdoor use, enabling ambient climatic conditions monitoring. The device design incorporates an external source of power or direct power from an optional internal lithium battery (dedicated for use with battery-powered telemetry modules).

General

Supply voltage:	
From an external source	10 – 30 VDC
From the internal lithium battery	3,6 VDC
Supply current (without output load)	1 mA
Measurement period	1 min
Battery operating time (3.6 V / 2.5 Ah)	10 years
Operating temperature range	-40 to +85 °C
Protection degree	IP40
Housing dimensions	71 x71 x 27 mm

Temperature measurement:

Output frequency	0 °C = 10 Hz (5 °C/1 Hz)
Measuring range	-40 to 85 °C
Accuracy for 25 °C	±0,5 °C
from -10 °C to +85 °C	±1 °C
from -14 °C to +85 °C	±3 °C
Resolution	0,1 °C

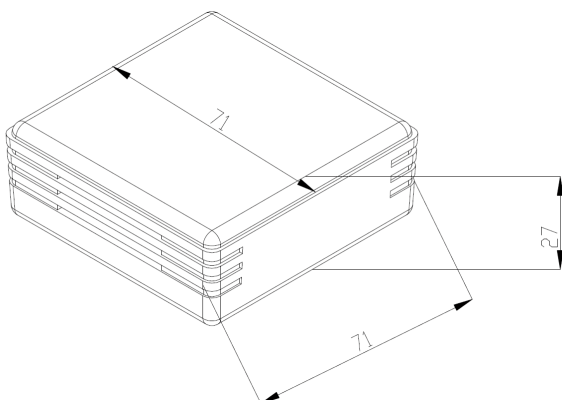
Humidity measurement:

Output frequency	50 % = 10 Hz (5 %/1 Hz)
Measuring range	1,3 % – 100 %
Accuracy	±5 %
Resolution	0,1 %

Atmospheric pressure measurement:

Output frequency	1000 hPa = 1 Hz (50 hPa/1 Hz)
Measuring range	513 hPa – 1100 hPa
Accuracy	±4 hPa
Resolution	1 hPa

Drawings and dimensions (all dimenitions in millimeters)



Additional info:



INVENTIA Sp. z o.o.
 ul. Kulczyńskiego 14, 02-777 Warszawa, POLAND
 tel.: +48 22 545-32-00, fax: +48 22 643-14-21
 inventia@inventia.pl, www.inventia.pl



INVENTIA complies with ISO 9001:2008 certified Quality Management System.
 This project is co-financed by EUROPEAN UNION
 from the European Regional Development Fund resources.